



## 10/100 BASE QUAD PORT PULSE TRANSFORMERS

P/N: LCZ3A1CB

### Feature

- Compliant with IEEE 802.3u and ANSI X3.263 standards.
- Symmetrical TX and RX channels for auto MDI/MDIX capability.
- Customer designs available for specific application.
- RoHS compliant.



### Electrical Specifications @ 25°C

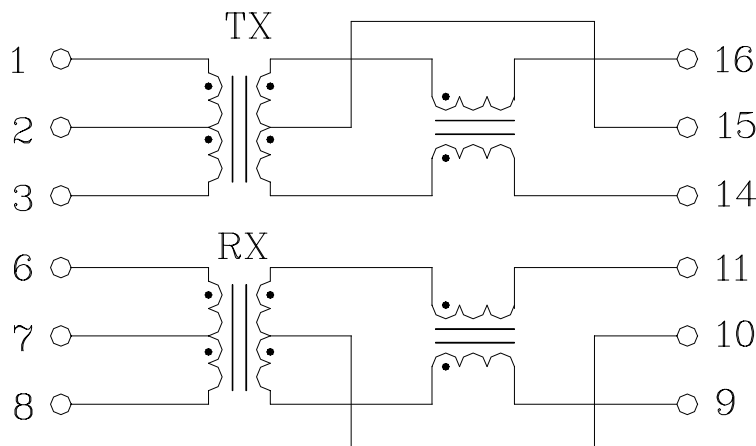
Part Number	Turns Ratio (±5%)		OCL(μH Min) @100KHz/0.1V with 8.0mA DC	Insertion Loss (dB Max)	HI-POT (Vrms)
	TX	RX		0.3-100MHz	
LCZ3A1CB	1CT:1CT	1CT:1CT	350	-1.15	1500

### Electrical Specifications @ 25°C

Part Number	Return Loss (dB Min)			Cross Talk (dB Min)		DCMR (dB Min)		
	0.3-30MHz	30-60MHz	60-80MHz	0.3-60MHz	60-100MHz	60MHz	100MHz	200MHz
LCZ3A1CB	-16	-12	-10	-45	-35	-37	-28	-25

\* Operating temperature range: 0°C to +70°C. Storage temperature range: -25°C to +125°C.

### Schematic

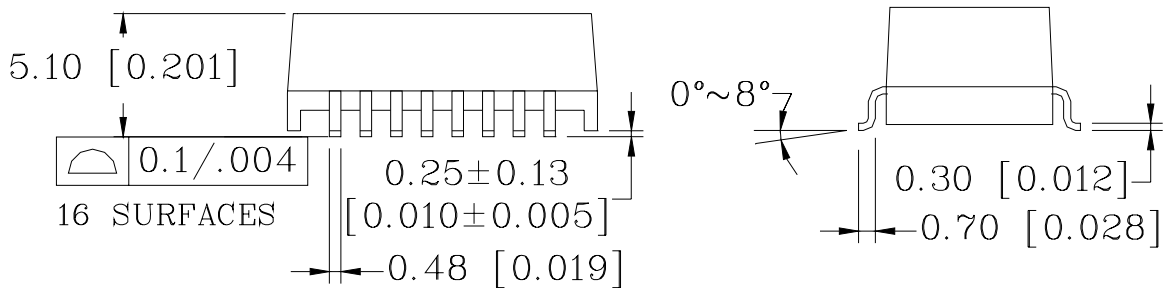
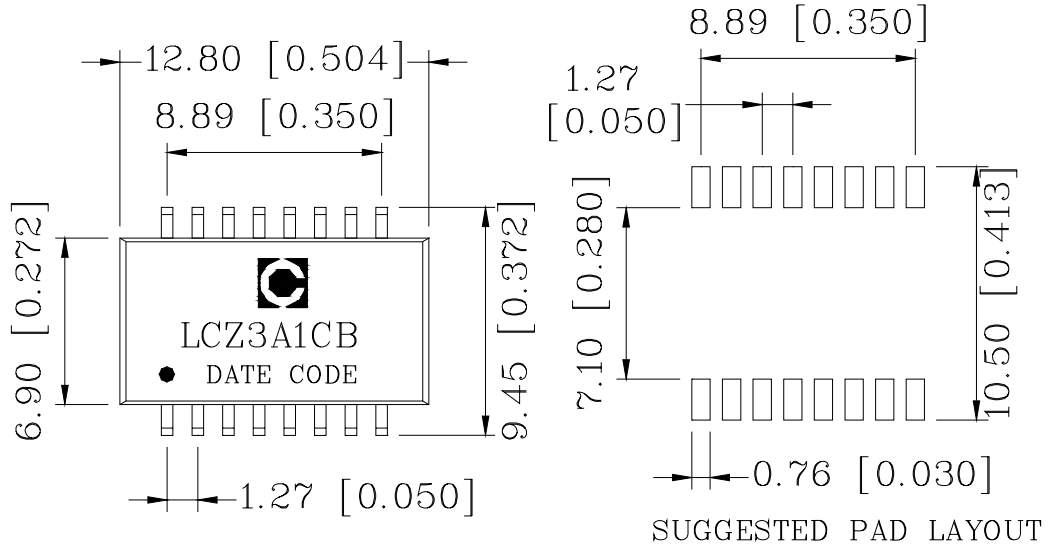




## 10/100 BASE QUAD PORT PULSE TRANSFORMERS

P/N: LCZ3A1CB

### Mechanical



Tolerance: ±0.25 (0.010) unless specified otherwise.

**NOTE:**

Datasheet Change History:

V0	2006/Jun.	Datasheet Set Up
V1	2007/Mar.	revise mode of the Datasheet