

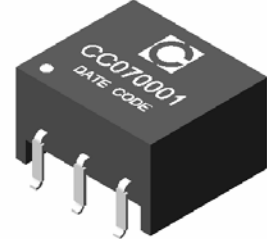


DC/DC Converter Isolation Modules

P/N: CC070001

Feature

- UL1950, IEC950 and EN60950 recognized.
- provide the isolation and voltage outputs required for small, low cost
- Designed specifically for use with the Maxim™ MAX253 and MAX845 monolithic oscillator/power drivers with 3.3V or 5V power source.
- RoHS compliant.

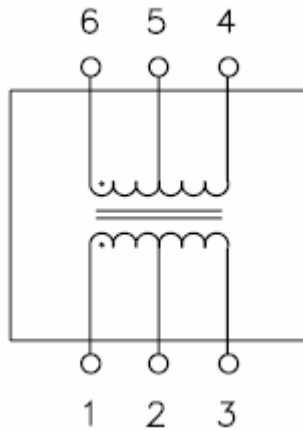


Electrical Specifications @ 25°C

Part Number	Turns Ratio ($\pm 3\%$) PRI:SEC	Pri DCR (Ω max)	Pri OCL (μH typ)	Pri _{LL} (μH typ)	ET Constant (V- μs min)	Isolation (Vrms)
CC070001	3CT:4CT	0.8	960	0.4	11	2000

* Operating temperature range: -40°C to +85°C. Storage temperature range: -40°C to +125°C.

Schematics



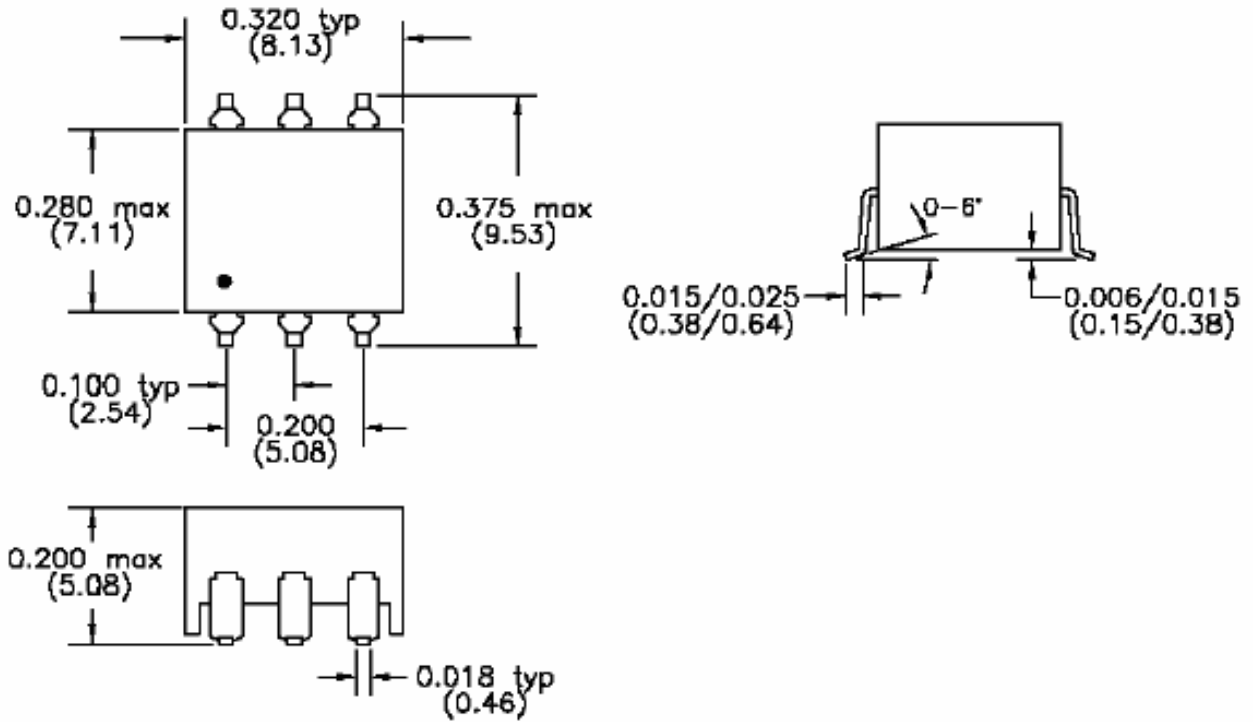
Tel:+86-20-81628973	Fax:+86-20-81628967
E-mail:sales@ceetus.com.cn	Website:www.ceetus.com.cn



DC/DC Converter Isolation Modules

P/N: CC070001

Mechanical



DIMENSIONS:Inch(mm)
 CO-PLANARITY:0.004(0.10)

Note:

Datasheet Change History:

V0	2007/Apr.	Datasheet Set Up

Tel:+86-20-81628973

Fax:+86-20-81628967

E-mail:sales@ceetus.com.cn

Website:www.ceetus.com.cn