



BU1206 SERIES CHIP INDUCTORS

P/N: BU1206471JG

Feature

- Minature size, suitable for SMT.
- Beat frequency special property and intense ability to Resist interference.
- The non-magnetic coilform also ensures the utmost in thermal stability, predictability and batch consistency.
- RoHS compliant.

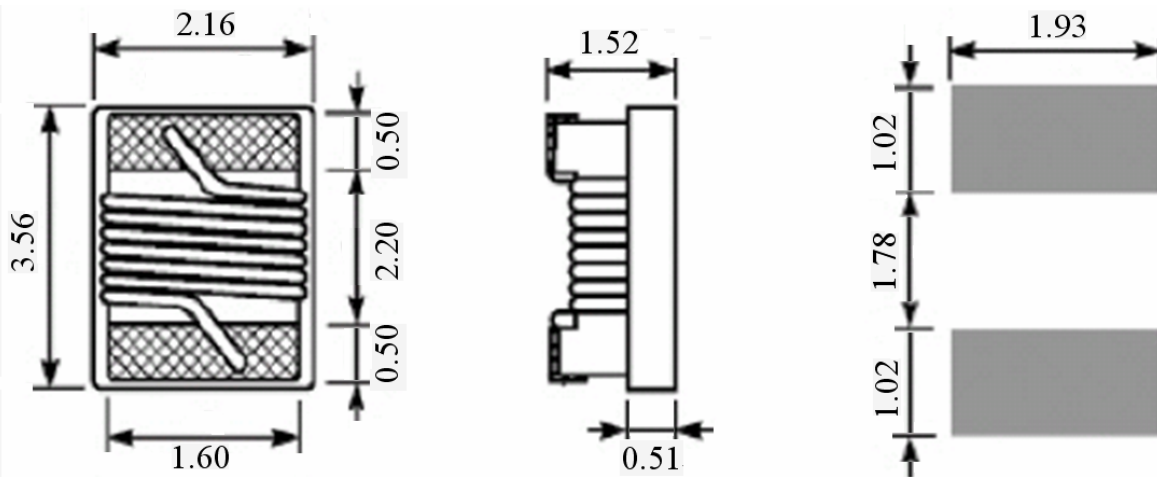


Electrical Specifications @ 25°C

Part Number	L @50MHz ($\mu\text{H} \pm 5\%$)	Q @150MHz ($\pm 10\%$)	RDC (Ω Max)	IDC (mA Max)	SRF (MHz Min)
BU1206471JG	470	45	1.3	290	550

* Operating temperature range: -40°C to +85°C. Storage temperature range: -40°C to +125°C.

Mechanical



Tolerance: ± 0.25 unless specified otherwise.

NOTE:

Datasheet Change History:

V0	2007/May.	Datasheet Set Up

Tel:+86-20-81628973	Fax:+86-20-81628967
E-mail:sales@ceetus.com.cn	Website:www.ceetus.com.cn